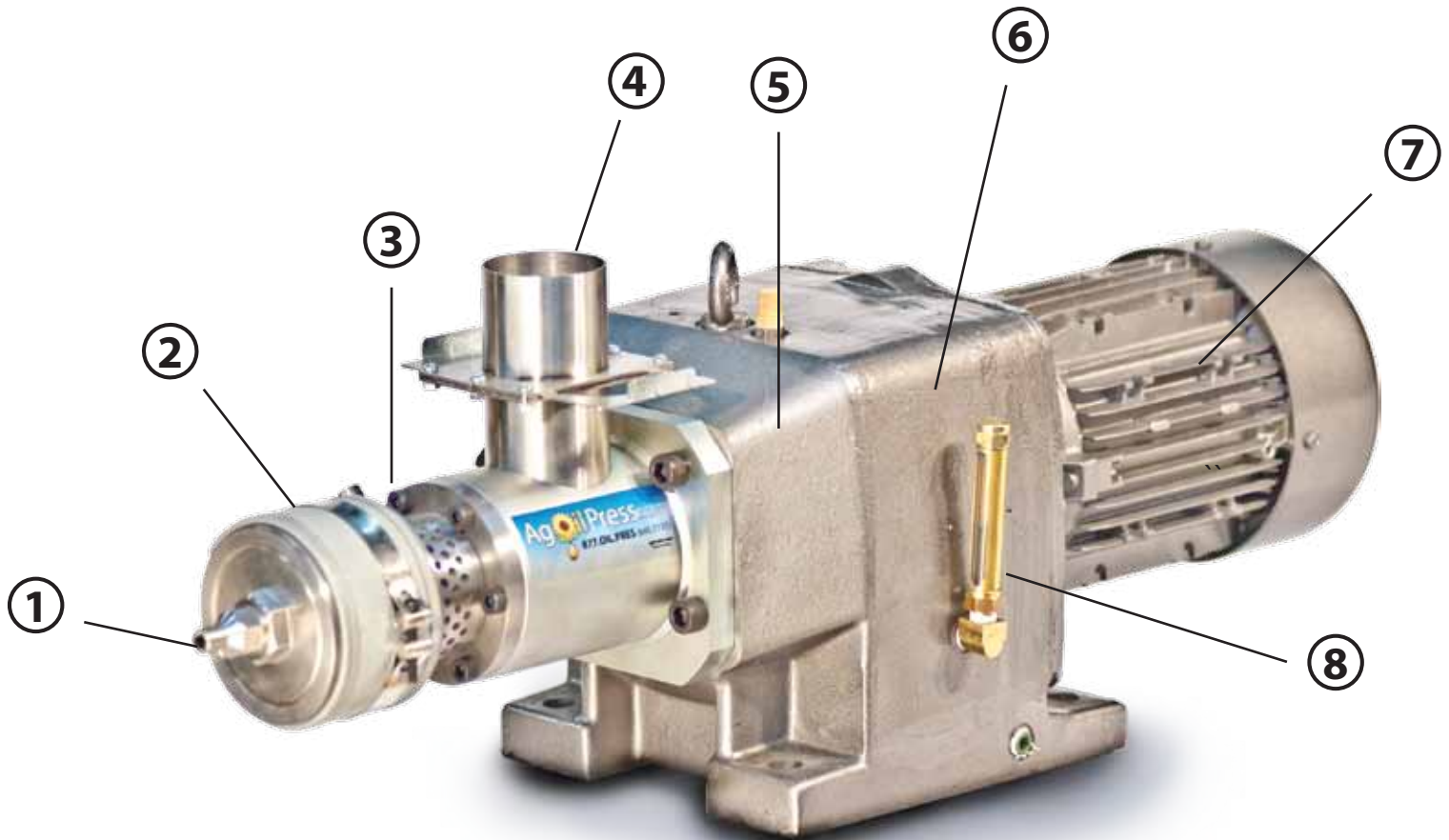


# M70 Oil Press



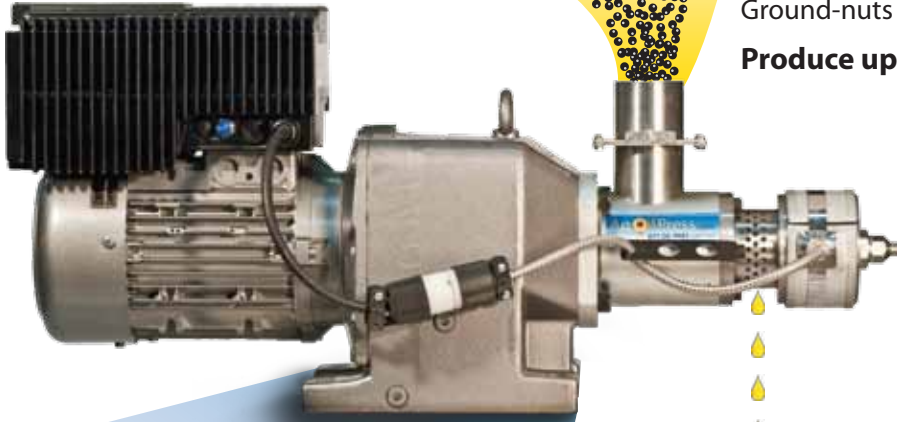
- 1** **Nozzles:** 3 nozzles with varying orifice sizes are included with the press. This provides the ability to crush a wide variety of commodities.
- 2** **Heat Band:** Used only for starting the press, provides a fast warm up to get the press started.
- 3** **Hardened Steel Press Components:** the press parts boast a Rockwell 62-64 hardness which is as hard as steel can get. Our parts are precision ground for precision crushing.
- 4** **Blast Gate:** Stainless Steel blast gate style valve provides a means of secure closure to the press for cleaning or changing commodities.
- 5** **Bearings:** brute bearings rated for a massive 34,000 pounds of axial thrust capacity enable reliable 24x7 operation.
- 6** **GearBox:** a robust cast iron gearbox provides a strong foundation for precision alignment of all moving parts. It also furnishes a rigid means of mounting the press.
- 7** **Motor:** A 2HP, 1.5kw VFD rated motor is extremely efficient. It is engineered for continuous duty operation.
- 8** **Oil Level Gauge:** a glass tube type oil level gauge makes checking the gearbox oil level a breeze. No need to shut the machine down or remove any parts.

## M70 Oil Press

### Extracts Oil From:

- Sunflower Seed
- Poppseed
- Cotton Seed
- Canola Seed
- Linseed
- And much more!
- Soy Beans
- Flaxseed
- Sesame seed
- Peanut
- Ground-nuts
- Mustard Seed

Produce up to 110 gal./acre.



### Pressed Meal

High protien, High nutrition livestock feed



Racking available for multiple presses



### Cold Pressed Oil

Use oil for biofuel in diesel engines and heating using a KingBuilt.com heating system. Also, oil can be used for cooking and health supplement oils.

#### BIOFUEL



#### BIOFUEL HEATING



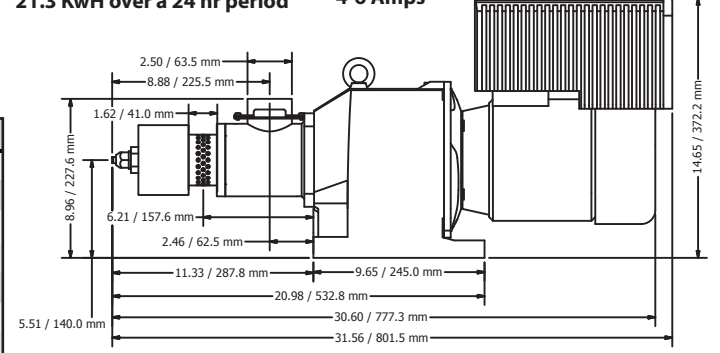
#### DIRECT CONSUMPTION



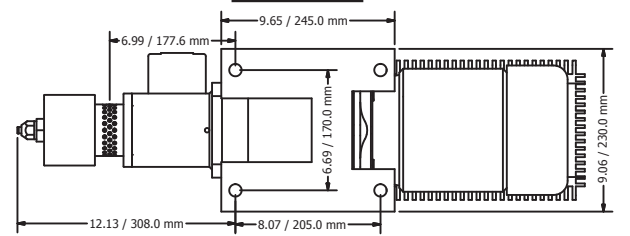
### Input Power:

220 Volt  
50 or 60Hz  
21.3 KwH over a 24 hr period

1 or 3 phase  
4-6 Amps



175 lbs



Commodity	Soy	Canola	Sunflower	Flax	Nuts
Lbs/Bushel	60	52	30	51	50
<b>Pressed Meal Lbs/B</b>	52.3	32.65	17.04	32.08	28.5
Oil Gallons/B	1.01	2.50	1.71	2.49	2.82
<b>Press Volume, M70 @ 75% Speed</b>					
Pounds/Day	850	1440	770	660	1008
Bushels/Day	14.17	27.69	25.67	12.94	20.16
Meal/Day-Lbs	740.92	904.15	437.36	415.15	576.00
Oil/Day-gal	14.35	69.34	43.77	32.22	56.00